

# V series

Floor mounted semi  
automatic liquid fillers  
250 to 5000+ ml



# V series

## Floor mounted semi automatic liquid fillers

**FCM's range of floor mounted semi-automatic liquid fillers encompasses volumetric piston and flowmeter technology.** Both delivery systems are extremely versatile, with a range of product valves and positive cut off non drip nozzles (both above the neck and diving) to suit product characteristics from free flowing liquids and lotions to viscous creams and particulates in suspension. Designed to accommodate a wide variety of container sizes, operation is via either pushbutton or foot switch. An added benefit of the FCM flowmeter filler is that as it has no pistons, it's even quicker to clean so there's less downtime and therefore greater productivity.

## V5000-S volumetric filling machines

- ▶ Single or twin head
- ▶ Volume range 250ml to 5000ml  
(up to 25 litres with multiple shot controller)
- ▶  $\pm 0.2\%$  accuracy
- ▶ Volume adjustment via handwheel and scale
- ▶ Infinitely variable speed control
- ▶ 316 stainless steel and PTFE contact parts
- ▶ Self clean with flushing circuit

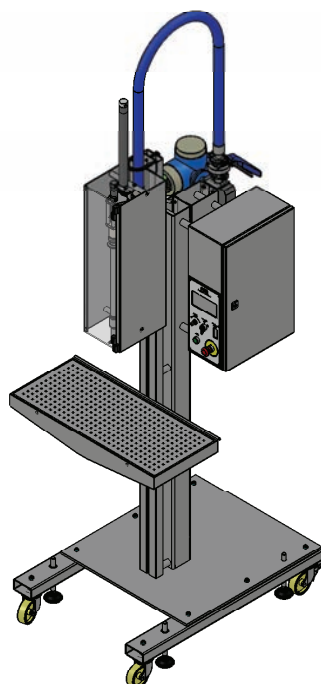
V5000-S Specification	
Volume Range	250ml to 5 litre
Accuracy	$\pm 0.2\%$
H x W x D (approx)	1.8 x 0.7 x 1.0m
Weight (approx)	179kg
Working Pressure	6 bar (0.6Mpa)
Air Consumption	55 litres/cycle
Power Supply	Pneumatic



## VF15000-S flowmeter filling machines

- ▶ Single or twin head
- ▶ Magnetic or mass flowmeter  
(depending on liquids)
- ▶ Volume range 100ml to 1000 litres  
(100 grams to 1000 kilos)
- ▶  $\pm 0.2\%$  accuracy
- ▶ Keypad controlled volume
- ▶ Infinitely variable speed control
- ▶ 316 stainless steel and PTFE contact parts
- ▶ Quick and easy to clean

VF15000-S Specification	
Volume Ranges (dependant on meter size)	100ml to 2 litres, 1 to 25 litres, 10 to 250 litres, 100 to 1000 litres
Accuracy	$\pm 0.2\%$
H x W x D (approx)	2.2 x 0.7 x 1.0m
Weight (approx)	150kg
Working Pressure	6 bar (0.6Mpa)
Air Consumption	5 litres/cycle
Power Supply	240v



**FCM**  
filling and capping machines limited

Marsh Hill Centre, Marsh, Aylesbury  
Buckinghamshire HP17 8ST, UK  
Tel/Fax: +44(0)1296 615383  
Email: [info@fillingandcapping.com](mailto:info@fillingandcapping.com)  
[www.fillingandcapping.com](http://www.fillingandcapping.com)

Filling and Capping Machines Ltd. pursue a policy of continuous improvement and reserves the right to make changes without notice.